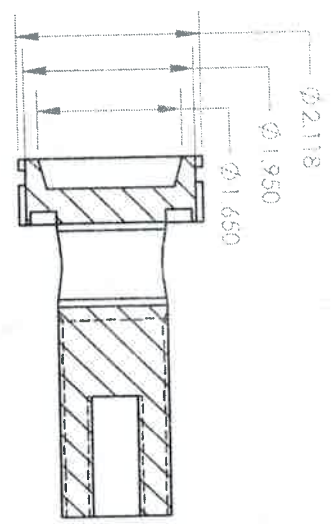


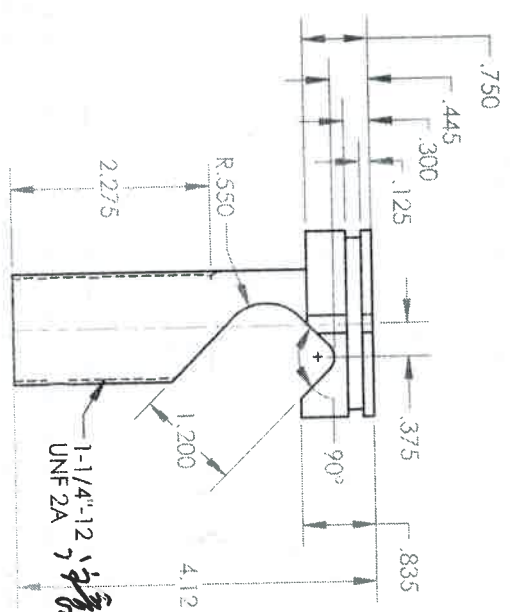
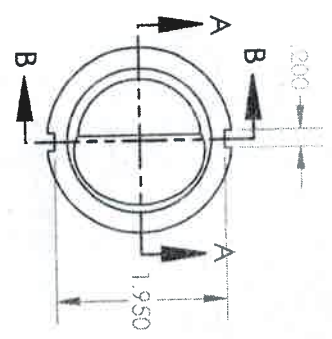
9/21/01

REVISIONS		
REV.	DESCRIPTION	DATE

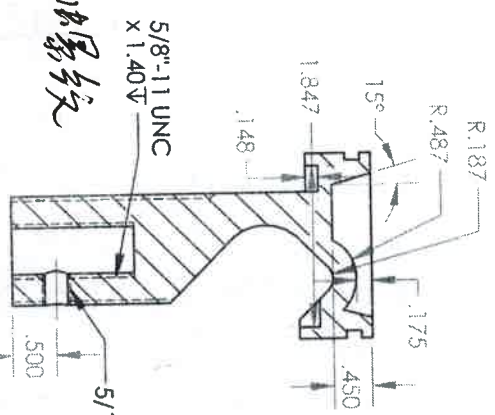
SHEET 1 OF 1



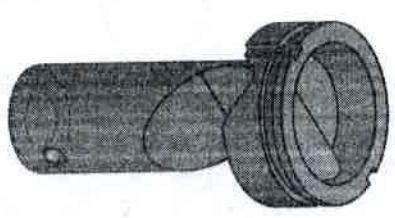
SECTION B-B



SECTION A-A



螺紋



MATERIAL	N/A
HEAT TREAT	N/A
FINISH	N/A

HPb59-1  
1000, 2500, 5000件

NAME	DATE
DRAWN: PJA	10/13/14

CLAMP

SIZE	A
USED ON:	
CLEAR JUMPER CLAMP TITLE:	
UNLESS SPECIFIED:	
DIMENSIONS ARE IN INCHES	
TOLERANCES:	
XX ±.01	
XXX ±.005	
FRACTIONAL ±1/4	
ANGLES MIN. ±.5	

PART NO. 2115-1

\\Ref-fs01\cadd\drawings\CLEAR JUMPER CLAMP

908957

1/4

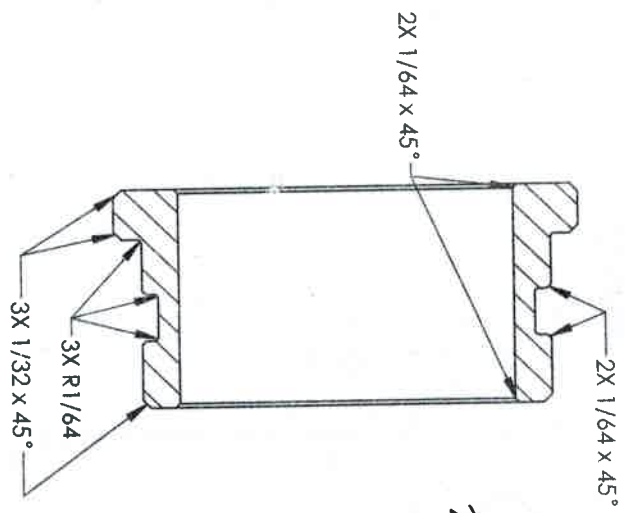
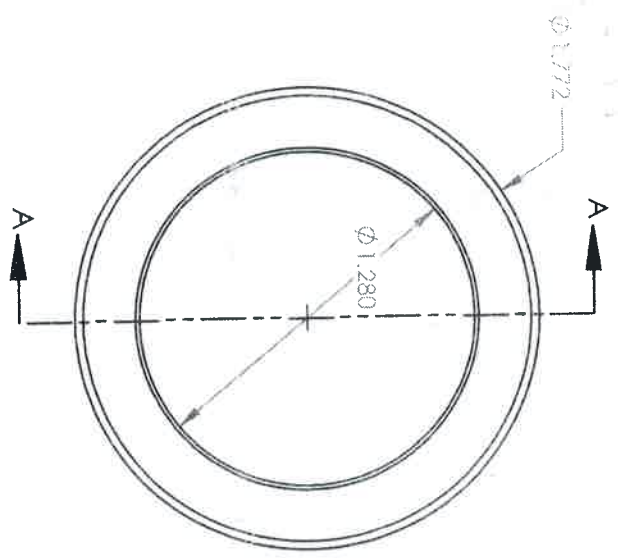
REVISIONS		
REV.	DESCRIPTION	DATE

SHEET 1 OF 1

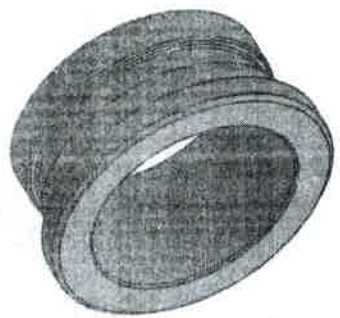
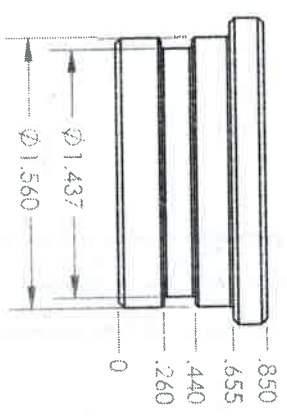
2/4

材料: ~~HP~~ HPb59-1

1000, 2500, 5000 三个批



SECTION A-A  
SCALE 1.5 : 1



SIZE: A  
CLEAR JUMPER CLAMP TITLE: SLEEVE

PART NO. 2115-2

REV

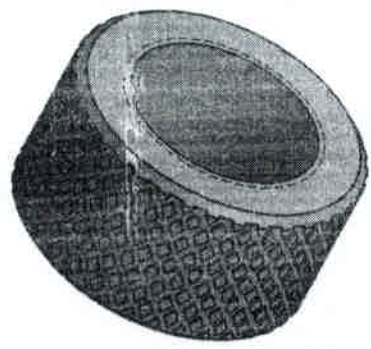
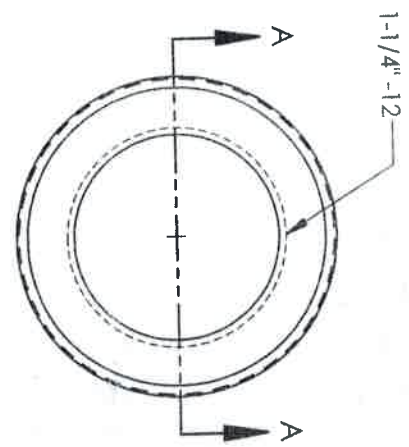
DESIGN	NAME	DATE
DRAWN	PJA	10/13/14

MATERIAL	N/A
HEAT TREAT	N/A
FINISH	N/A

UNLESS SPECIFIED, DIMENSIONS ARE IN INCHES.  
TOLERANCES:  
XX .01  
XXX .005  
FRACTIONS ± 1/64  
ANGLES ARE ± 5°  
V:\Rel-10501\Good Drawings\CLEAR JUMPER CLAMP

REVISIONS			
REV.	DESCRIPTION	DATE	APP

材料 304 303

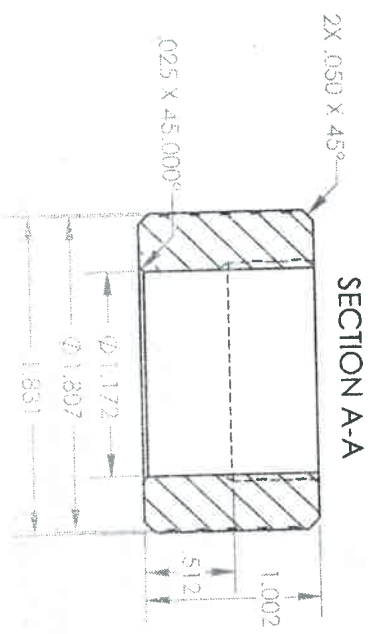


3/4

304 303

1000, 2500, 5000 件

不同批次



MATERIAL	N/A
HEAT TREAT	N/A
FINISH	N/A

SECTION: A  
 DRAWN: FJA  
 DATE: 10/13/14  
 NAME: DATE  
 TITLE: CLEAR JUMPER CLAMP  
 SIZE: A  
 UNLESS SPECIFIED, DIMENSIONS ARE IN INCHES  
 TOLERANCES:  
 XX: ±.01  
 XXX: ±.005  
 FRACTIONAL: ±.0005  
 DECIMAL: ±.0005

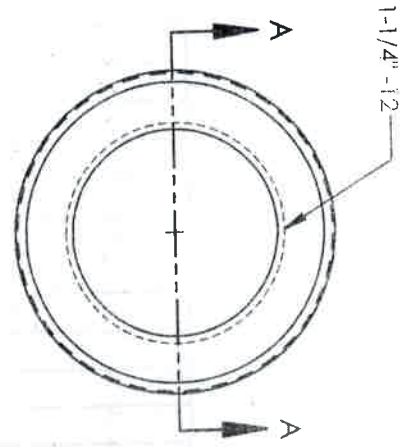
PART NO. 2115-3-A  
 REV.

\\raffp001\cadd\dwg\2115\CLEAR JUMPER CLAMP

REVISIONS			
REV.	DESCRIPTION	DATE	APP.

SHEET OF 1

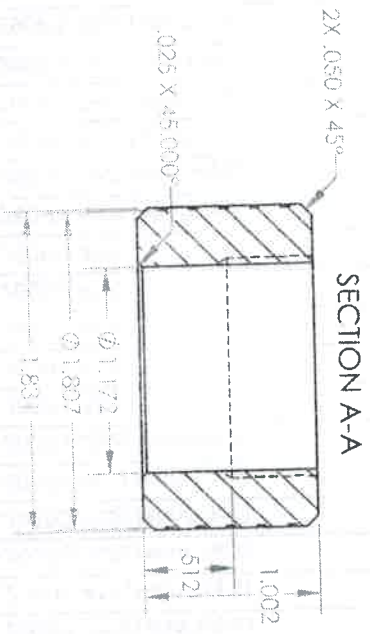
注意出象纹



4/4

材料: HP659-1

1000, 2500, 5000件



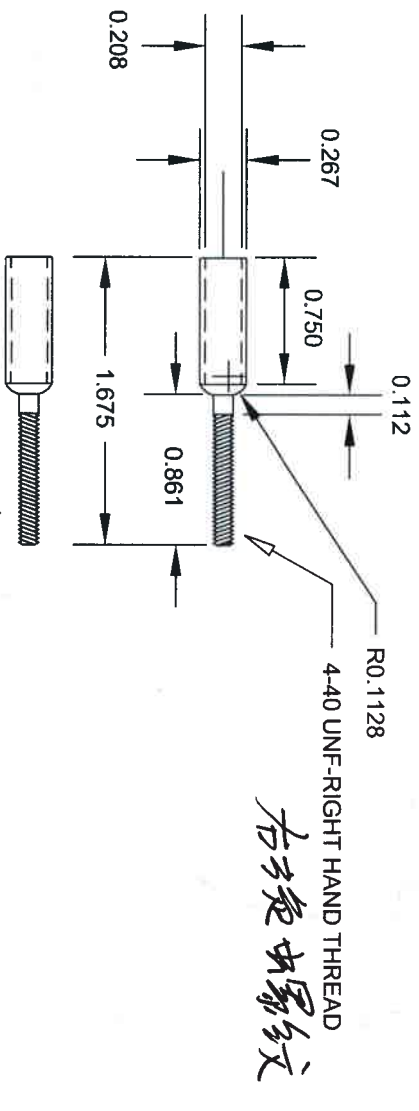
NAME DATE  
 DRAWN PJA 10/13/14  
 USED ON:  
 SIZE CLEAR JUMPER CLAMP TITLE:  
 A THREADED INSERT  
 UNLESS SPECIFIED:  
 DIMENSIONS ARE IN INCHES  
 TOLERANCES  
 XX ± .01  
 XXX ± .005  
 FINISH N/A

PART NO. 2115-3-B  
 REV

VAR: (4)1\AC004.dwg\AS\CLEAR JUMPER CLAMP

NA222

Material: 6061 Aluminum  
Quantities to quote: 500 pieces & 1000 pieces split evenly between right and left hand thread



A16061

右旋虫累纹: 250件

左旋虫累纹: 250件

4-40 UNF-LEFT HAND THREAD

左旋虫累纹

4-40 UNF-RIGHT HAND THREAD

右旋虫累纹

图号: Threaded Coupler